

# Rockfon BeamGrid™ Open Plenum Ceiling System

## Applications

Create attractive open ceilings in interior spaces.

## Features

- Large scale open grid.
- Wide selection of profiles and module sizes.
- Variety of perimeter solutions.
- Painted and reflective finishes.
- Metal contains no organic compounds to support mold or microbial growth.

## Benefits

- Conveys intimacy of a lowered ceiling while maintaining openness.
- Beams scaled to suit the size of the space.
- Sustainable: 75%-100% recycled content, 100% locally recyclable.

## Material:

0.032" aluminum finished on outer surface.

## Components:

### 1. Main/Cross/

#### Perimeter Beams:

#### Painted Colors

- 379 Gloss White
- 386 Gloss Black
- Other \_\_\_\_\_

#### Reflective Finishes

- 14 Chromecoat
- 16 Brasscoat
- 378 Brushed Aluminum

#### Module Size:

- 1' x 1'
- 1' x 2'
- 1' x 4'
- 2' x 2'
- 2' x 4'
- 3' x 3'
- 4' x 4'
- Special order \_\_\_\_\_

#### Profiles (W x H)

- 1" x 1"
- 1" x 2"
- 1" x 4"
- 2" x 2"
- 2" x 4"
- 3" x 3"
- 4" x 4"
- Special order \_\_\_\_\_

### 2. Wall Channel:

Finished on both sides

- 1" x 1"
- 1" x 2"
- 1" x 4"
- 2" x 2"
- 2" x 4"
- 3" x 3"
- 4" x 4"
- Special order \_\_\_\_\_

### 3. Wall Channel

**-Double:** Field fastened face-to-face creating perimeter beam.

- 1" x 1"
- 1" x 2"
- 1" x 4"
- 2" x 2"
- 2" x 4"
- 3" x 3"
- 4" x 4"
- Special order \_\_\_\_\_

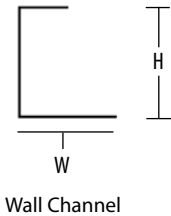
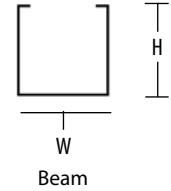
### 4. Hanger/Coupler:

For selected beam profile

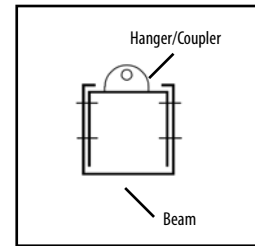
### 5. Corner Kit: For floating perimeter beam corners, unassembled.

For selected beam profile (includes coupling pieces and mitering).

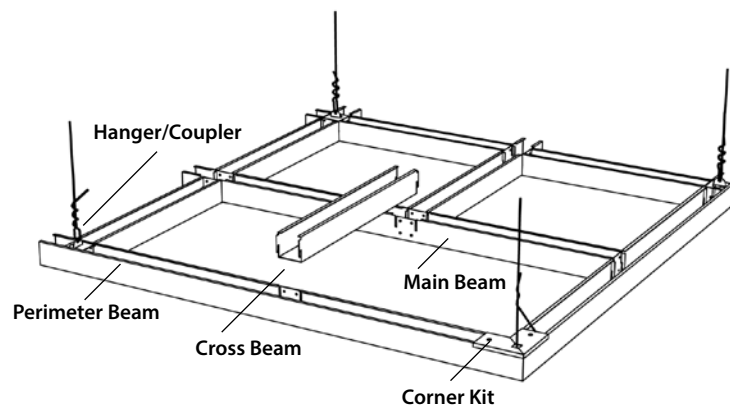
## Profiles



## Section



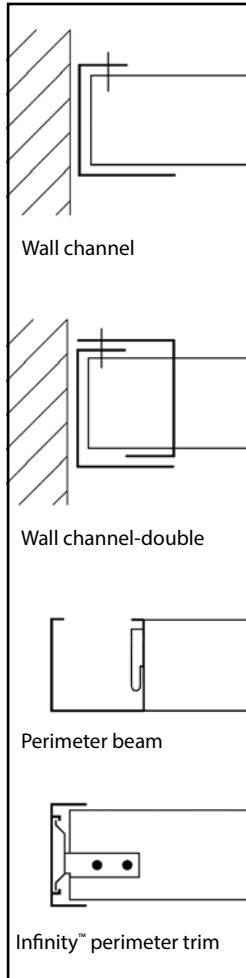
Hanger/Coupler



## Rockfon BeamGrid™ Open Plenum Ceiling System

### Physical Data

#### Sections



MATERIAL:	Beam depth: 1", 2", 3", 4"
	Beam width: 1", 2", 3", 4"
	Aluminum: painted, reflective and anodized
SURFACE:	Smooth
SIZE:	Spacing: 12", 16", 24", 30", 36", 48"
FIRE:	Class A: flame 0, smoke 0 per ASTM E-84
PERFORMANCE:	Interior applications
SUSPENSION:	Beam
CLASSIFICATION:	Type XX, pattern G per ASTM E 1264
WARRANTY:	1 year limited
SUSTAINABILITY:	75% - 100% recycled content, 100% locally recyclable



ROCKFON, LLC 4849 SOUTH AUSTIN AVE., CHICAGO, IL 60638 / USA and Canada: 800-323-7164 / Fax: 800-222-3744 / rockfon.com